

## 3 Piece Screw Ball Valve - Electric

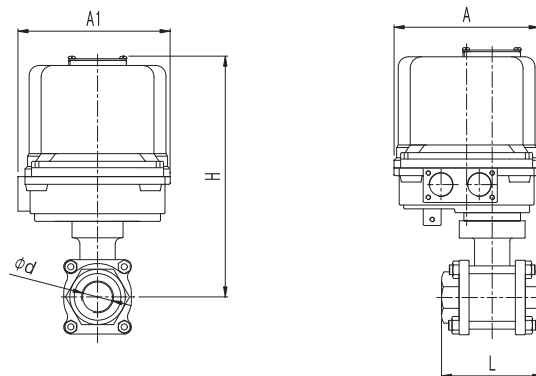


### ● Applicable Standards

- Fluids : Water, Steam, Gas, Oil, Chemical Process
- Construction : 3 Piece Body, Floating Ball, Anti Blow Out
- End Connection : NPT Screw
- Design: ANSI B 1.20 / 16.10 / 16.34, API 598
- Seat Leakage : Class IV, V, VI

### □ Specification

Valve Size	8A(1/4") ~ 50A(2")
Actuator Model	ATM0020 / 40 / 80
Actuator Type	Electric
Electrical	AC110V, 220V, 380V
Output Torque	20Nm / 40Nm / 80Nm
Operating time	11/50, 60Hz, 14/50Hz, 12/60Hz, 16/50Hz, 14/60Hz
Operating Type	On-off
Rotating Angle	90 ° ± 10 °
Fluid Temp	-20 °C ~ 70 °C
Rating	1000 PSI
Material	Body (A351 CF8, 8M) / Ball (A182 F304, 316) / Seat (PTFE, RTFE, PEEK)



### □ Dimension

End Connection : NPT Screw (mm)

Model	Size		Motor		H (Approx)	L	ød
	mm	Inch	A	A1			
ATM0020-8S3	8A	1/4"	89.4	109.7	173.5	60	10
ATM0020-10S3	10A	3/8"	89.4	109.7	173.5	60	12.5
ATM0020-15S3	15A	1/2"	89.4	109.7	173.5	65	15
ATM0020-20S3	20A	3/4"	89.4	109.7	173.5	75	20
ATM0040-25S3	25A	1"	113.5	121.8	216	85	25
ATM0040-32S3	32A	1-1/4"	113.5	121.8	227	101	32
ATM0040-40S3	40A	1-1/2"	113.5	121.8	231	110	38
ATM0080-50S3	50A	2"	160	121	218	130	50