

Butterfly Valve - Electric

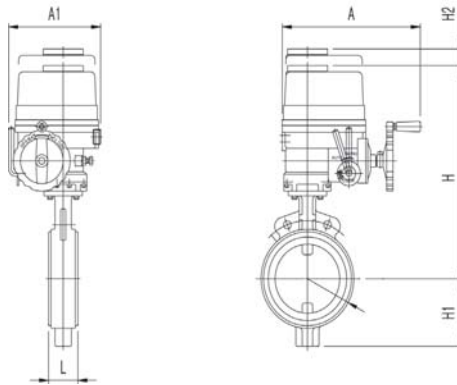


● Applicable Standards

- Fluids : Water, Gas, Oil, Chemical Process
- Construction : Concentric, Anti Static Device
- End Connection : RF, Wafer, Lug
- Design: API 609 / 598, ANSI B 16.34 / 16.47 / 16.5
- Seat Leakage : Class V, VI

□ Specification

Valve Size	40A(1-1/2") ~ 600A(24")
Actuator Model	ATM0040 ~ ATM3000
Actuator Type	Electric
Electrical	AC110V 220V, AC380V 440V
Rotating Angle	90°± 5°
Operating Type	On-off, Modulating (Except for ATM0040)
Fluid Temp	-20℃ ~ 70℃
Rating	ANSI 150#
Material	Body (A216 WCB, A351 CF8) / Disc (A351 CF8, CF8M) / Seat (EPDM, VITON)



□ Dimension

(mm)

Model	Size		Actuator		H (Approx)	H1	H2	L
	mm	Inch	A	A1				
ATM0040-40BF	40A	1-1/2"	113.5	121.8	263	58	-	41
ATM0040-50BF	50A	2"	113.5	121.8	270	65	-	43
ATM0080-65BF	65A	2-1/2"	160	121	268	71	40	46
ATM0080-80BF	80A	3"	160	121	278	83	40	46
ATM080-100BF	100A	4"	258	172	418	100	100	52
ATM0160-125BF	125A	5"	338	229	472	110	115	56
ATM0240-150BF	150A	6"	338	229	489	130	115	56
ATM0350-200BF	200A	8"	357	244	581	163	145	60
ATM0500-250BF	250A	10"	357	244	608	227	145	68
ATM0800-300BF	300A	12"	380	244	660	252	170	78
ATM0800-350BF	350A	14"	380	287	669	272	170	78
ATM1100-400BF	400A	16"	380	287	713	343	170	102
ATM2000-450BF	450A	18"	440	375	836	366	225	114
ATM2000-500BF	500A	20"	440	375	900	421	225	127
ATM3000-600BF	600A	24"	440	375	985	493	225	154