

Butterfly Valve - Double Acting

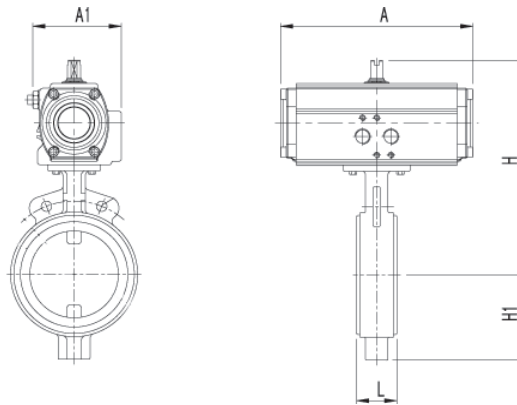


● Applicable Standards

- Fluids : Water, Gas, Oil, Chemical Process
- Construction : Concentric, Anti Static Device
- End Connection : RF, Wafer, Lug
- Design: API 609 / 598, ANSI B 16.34 / 16.47 / 16.5
- Seat Leakage : Class V, VI

□ Specification

Valve Size	40A(1-1/2") ~ 600A(24")
Actuator Model	AD50 ~ AD200
Actuator Type	Pneumatic Duble Acting (with Dry Air)
Operating Pressure	4 ~ 7kg/cm ²
Rotating Angle	90°± 5°
Fluid Temperature	-10℃ ~ 200℃
Rating	ANSI 150#
Material	Body (A126 CL B , A216 WCB , A351 CF8) / Disc (A351 CF8, CF8M) / Seat (EPDM,VITON)
Accessory	Solenoid Valve, Limit Switch Box, Air filter Regulator, E/P Positioner



□ Dimension (ANSI 150#)

(mm)

Model	Size		A	A1	H (Approx)	H1	L
	mm	Inch					
AD50-40BF	40A	1-1/2"	162	75	215	58	41
AD50-50BF	50A	2"	162	75	217	65	43
AD50-65BF	65A	2-1/2"	162	75	227	71	46
AD65-80BF	80A	3"	202	89	256	83	46
AD65-100BF	100A	4"	202	89	270	100	52
AD80-125BF	125A	5"	262	101	300	110	56
AD80-150BF	150A	6"	262	101	314	130	56
AD100-200BF	200A	8"	311	129	390	163	60
AD100-250BF	250A	10"	311	129	428	227	68
AD125-300BF	300A	12"	390	151	482	252	78
AD140-350BF	350A	14"	431	164	510	272	78
AD160-400BF	400A	16"	506	189	585	343	102
AD160-450BF	450A	18"	506	189	625	366	114
AD200-500BF	500A	20"	605	231	783	421	127
AD200-600BF	600A	24"	605	231	870	493	154

Butterfly Valve- Single Acting

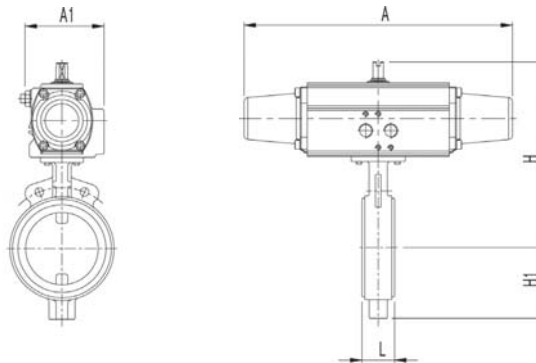


● Applicable Standards

- Fluids : Water, Gas, Oil, Chemical Process
- Construction : Concentric, Anti Static Device
- End Connection : RF, Wafer, Lug
- Design: API 609 / 598, ANSI B 16.34 / 16.47 / 16.5
- Seat Leakage : Class V, VI

□ Specification

Valve Size	40A(1-1/2") ~ 500A(20")
Actuator Model	AS50 ~ AS200
Actuator Type	Pneumatic Single Acting / Spring Return (with Dry Air)
Operating Pressure	4 ~ 7kg/cm ²
Rotating Angle	90°± 5°
Fluid Temperature	-10℃ ~ 200℃
Rating	ANSI 150#
Material	Body (A126 CL B, A216 WCB, A351 CF8) / Disc (A351 CF8, 8M) / Seat (EPDM, VITON)
Accessory	Solenoid Valve, Limit Switch Box, Air filter Regulator, E/P Positioner



□ Dimension (ANSI 150#)

(mm)

Model	Size		A	A1	H (Approx)	H1	L
	mm	Inch					
AS50-40BF	40A	1-1/2"	162	75	215	58	41
AS50-50BF	50A	2"	162	75	217	65	43
AS50-65BF	65A	2-1/2"	162	75	227	71	46
AS65-80BF	80A	3"	202	89	256	83	46
AS65-100BF	100A	4"	202	89	270	100	52
AS80-125BF	125A	5"	262	101	300	110	56
AS80-150BF	150A	6"	262	101	314	130	56
AS100-200BF	200A	8"	311	129	390	163	60
AS100-250BF	250A	10"	311	129	428	227	68
AS125-300BF	300A	12"	390	151	482	252	78
AS140-350BF	350A	14"	431	164	510	272	78
AS160-400BF	400A	16"	506	189	585	343	102
AS160-450BF	450A	18"	506	189	625	366	114
AS200-500BF	500A	20"	605	231	783	421	127